

# CATALOG

## TELESCOPIC CHANNEL





# COMPANY PROFILE

---

Galaxy Group is a versatile Hardware Products manufacturing unit with over 10 years of experience the group of established in the year 2011.

You have just Found Perfect Choice for your Hardware Collection.

Galaxy group is well positioned for continued growth and market dominance because of its vibrant leadership . We have taken significant steps to renew and refresh the core business with high quality and innovative pattern for today's market to provide consistent service to the existing global/indian customers.

Our purpose for quality packaging and timely delivery of the products in the lead time span provides us an additional edge. We endeavor to achieve customer satisfaction through continuous innovation and delivering current trends to the customers cost effectively .

Our workplace is modern and well organized, equipped with sophisticated machinery. In our attempts to deliver the best premium quality products to our customers. We introduce exciting new concepts and designs on a regular basis that meet the evolving tastes of the customers in harmony with the current trends and that's motto of galaxy group.

# OVERVIEW

FOREVER NEW drawer slides are easy to install and are designed to provide years of reliable service throughout the home. FOREVER NEW drawer slide is available in zinc and black coated.

Designed to provide high quality and on-going user experience, forever new drawer slides are designed for simple easy installations. forever new drawer slides are life cycle tested and designed to deliver on-going excellent performance.

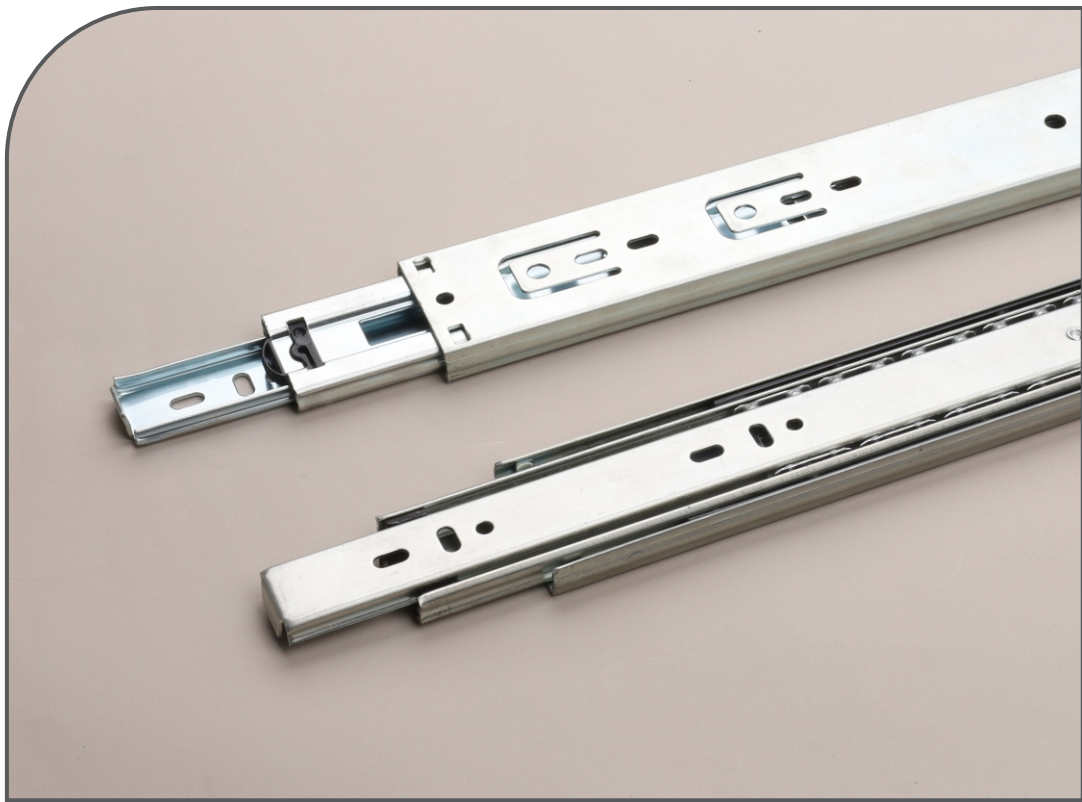


▪ Export Quality ▪ Life Time Warranty

Telescopic Channel

# ZINC

## EXCLUSIVE DRAWER SLIDE



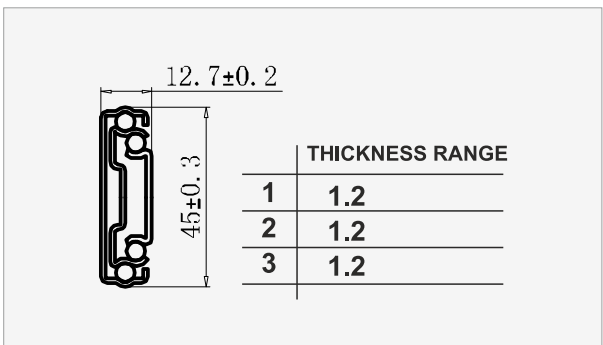
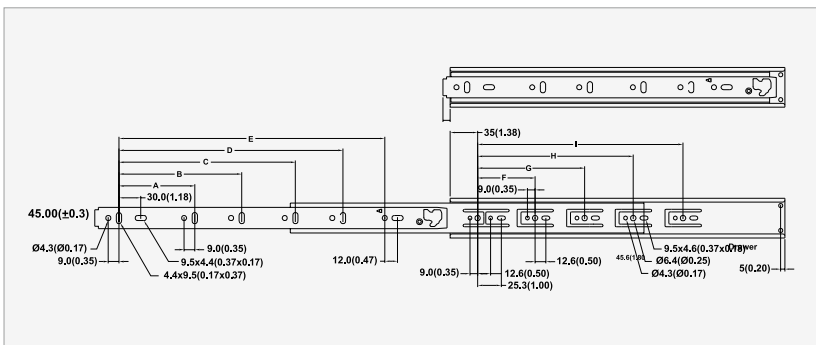
### Specifications

- Weight & Load capacity : 72 gram per inch & 45Kg/pair
- Weight & Load capacity : 58 gram per inch & 40Kg/pair
- Length : 250mm to 600mm (10" to 24")
- Side Space : (+0.5mm / -0mm)
- Height : 45mm (1.07")
- Mount : Side Mount
- Disconnect : Yes (lever Disconnect)
- Finish : Clear Zinc
- Material : High Grade Corrosion Resistant Steel
- Package : Unit Packed in 15 pairs/ carton
- Test : SGS 120 hrs Zinc Testing.

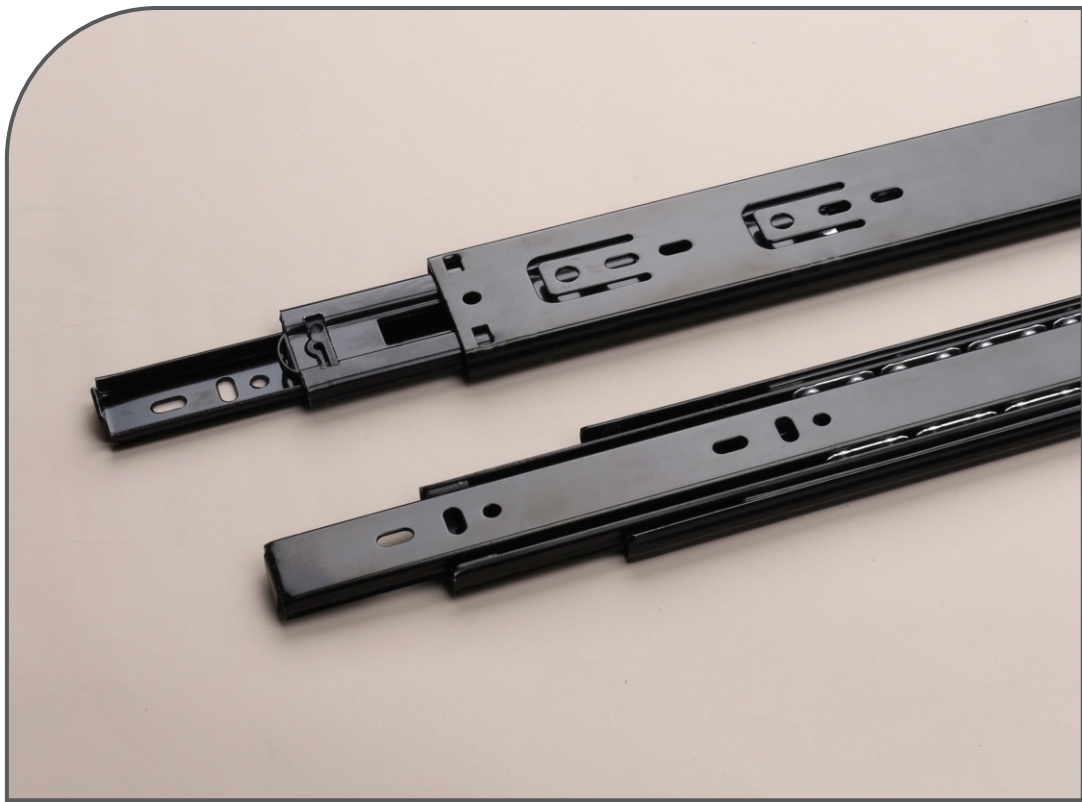
Size		Packing
Inch	MM	
10"	250	15 Set in a Carton
12"	300	
14"	350	
16"	400	
18"	450	
20"	500	
22"	550	
24"	600	

## Features

- Durable damping system with fast response capability.
- Ultra smooth gliding motion with high rigidity and stability.
- Guaranteed 50,000 life cycles under proper installation and normal usage.
- Telescopic precision partial extension slide with positive hold in detent.
- Precision steel ball bearing offer High lateral stability.
- Anti rust German Technology for long life.
- Teflon Coating for rust free long life.



# BLACK | EXCLUSIVE DRAWER SLIDE



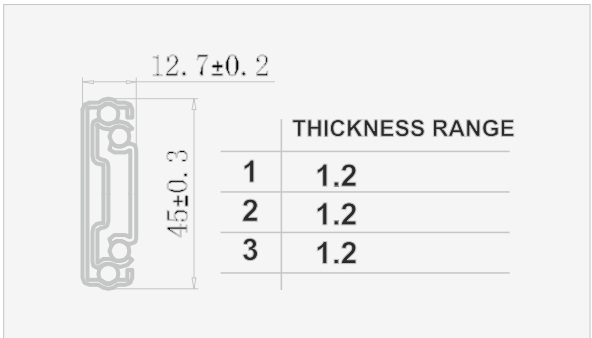
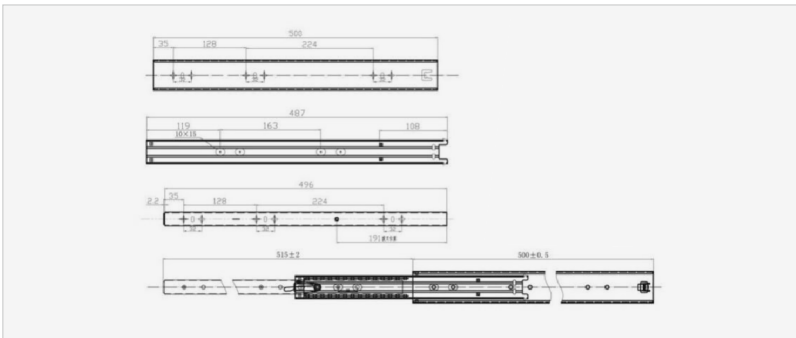
## Specifications

- Weight & Load capacity : 72 gram per inch & 45Kg/pair
- Weight & Load capacity : 58 gram per inch & 40Kg/pair
- Length : 250mm to 600mm (10" to 24")
- Height : 45mm (1.07")
- Mount : Side Mount
- Disconnect : Yes (lever Disconnect)
- Finish : Powder Coted Black
- Material : High Grade Corrosion Resistant Steel
- Package : Unit Packed in 15 pairs/ carton
- Test : SGS 120 hrs Salt Testing.

Size		Packing
Inch	MM	
10"	250	15 Set in a Carton
12"	300	
14"	350	
16"	400	
18"	450	
20"	500	
22"	550	
24"	600	

## Features

- Durable damping system with fast response capability
- Ultra smooth gliding motion with high rigidity and stability
- Guaranteed 50,000 life cycles under proper installation and normal usage
- Telescopic full Extension slide with positive hold in detent.
- Precision steel ball bearing offer High lateral stability
- Anti rust German Technology for long life.





---

**EXCLUSIVE DRAWER SLIDE**

---

Mfg. & Marketed by :

**MG STORE**

- 📞 +91 74879 77479
- ✉ info.mymgstore@gmail.com
- 📍 Rajkot (Guj.) INDIA